



Sovitron Interior Pvt.Ltd.



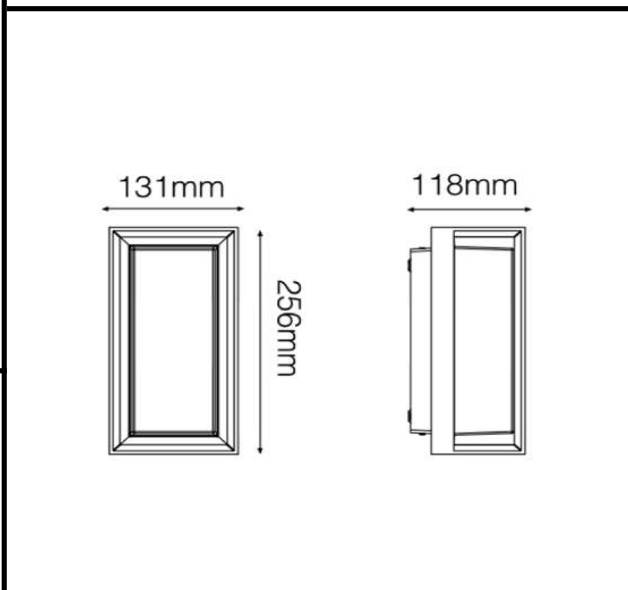
Model Name	SILAS-E3210 Wall Light/ DL-OUC-E3210-6
Description	Wall light

Technical description	Image
-----------------------	-------

Dimension	L=256mm W=131mm H=118mm
Frame	Aluminium Die-cast
Color Tempertaure	3000K
Power	6W
Total Luminous Flux	400 lm
Efficacy	66.6 lm/W
IP rating	65
Beam angle	140°
Color Rendering	≥80
Mounting	Surface
Optics	Pressed borosilicate glass
Dimming	NON-Dimmable
Operating Voltage	AC220-240V
Standard Lifetime	L70 minimum at 50,000 burning hours



Dimension diagram



Remarks:-

Address: Plot #7 Saroorpur-Nangla Industrial Area,Ballabgarh-Sohna Road,Faridabad-121005
Email: info@sovitron.com